

NYLM-2

2" iLENE LED Mini Cylinders

Source: 15W LED
1000lm

Type

Project

Catalog No.

Notes

PRODUCT DESCRIPTION

iLENE Series of dedicated LED Mini Cylinders are available in three sizes and outputs, with pendant or surface mount options. Using Cree® COB technology, the iLENE produces 90+ CRI with excellent cut-off for visual comfort. Each cylinder includes three field-changeable optics for spot, narrow flood and flood (installed) beam spreads.

FEATURES

- 1000lm / 15W LED
- Cree® LED COB or Comfort Dim Technology
- Stem, Surface or Cable Mounted
- 2700K, 3000K, 3500K, 4000K or Comfort Dim @ 90+ CRI
- Flood (installed), narrow flood and spot optics included
- Triac, ELV or 0-10V dimming
- Pendant cone accessory available for decorative appearance
- ENERGY STAR® certified
- 5-year limited warranty

SPECIFICATION

Construction: Extruded aluminum cylinder with aluminum vented top. Driver is mounted in the canopy to dissipate heat away from the LED module and extend life expectancy.

Reflector: Deep set reflector for minimal aperture brightness. Reflector finish matches cylinder finish.

INSTALLATION (Canopy includes driver & mounts over j-box)

Cable: Cylinder includes 8' field adjustable aircraft cable

Surface: Cylinder is connected to canopy and mounts directly over junction box.

Stem: Cylinder can be stem mounted up to 7, must specify stem length (12" increments). Stems are internally threaded and can be connected together, below are configurations included:

Stem Length	Stem(s) Included
12" (1)	(1) 12" Stem
24" (2)	(1) 24" Stem
36" (3)	(1) 12" & (1) 24" Stems
48" (4)	(2) 24" Stems
60" (5)	(2) 24" & (1) 12" Stems
72" (6)	(3) 24" Stems
84" (7)	(3) 24" & (1) 12" Stems

ELECTRICAL

Input Voltage: 120VAC or 120-277VAC (must specify)

Lumens / Wattage: 1000lm / 15W (725lm with Comfort Dim)

Color Temperature: 2700K, 3000K, 3500K or 4000K

Comfort Dim: Comfort Dim color tunes the temperature from a bright 3100K, to a romantic and comfortable 2000K on a gradual, even curve. Comfort Dim delivers up to 725 lumens.

Color Rendering Index: 90+ CRI

Optics: Three field-changeable optics included

Dimming: Triac, ELV or 0-10V (must specify)

Click Here or check complete dimmer list at www.NoraLighting.com in the "Compatibility" page under "Resources" tab

ACCESSORIES

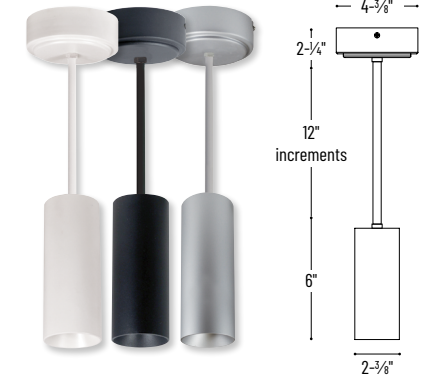
Cylinders are compatible with accessories (pendant cones, decorative translucent collars or opaque snoots). Pendant cones can be added in the field for a decorative appearance in a variety of finishes. Translucent collars color the aperture with the specified color while producing white general light. Opaque snoots greatly reduce aperture brightness while preserving light output. (Note: black snoot will reduce light).

LABELS AND LISTINGS

- cULus Listed for Damp Locations
- ENERGY STAR certified
- **5-Year Limited Warranty**
- Certified to the high efficacy requirements of California Title 24 JA8-2022



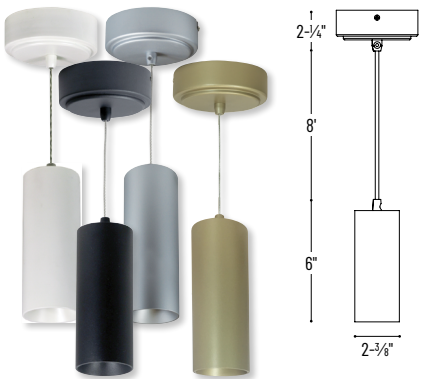
PRODUCT IMAGES AND DIMENSIONS



NYLM-2ST
Stem Mounted



NYLM-2SC
Surface Mounted



NYLM-2C
Cable Mounted

2" iLENE LED Mini Cylinder

Mounting Option	CCT	Finish	Input Voltage / Dimming	Stem Length
NYLM-2ST = Stem	27X = 2700K	BB = Black	LE3A = 120V input; Triac/ELV	/12 = 12" (1)
	30X = 3000K	SS = Silver	LE4A = 120-277V input; Triac/ELV/0-10V	/24 = 24" (2)
	35X = 3500K	WW = White		/36 = 36" (3)
	40X = 4000K			/48 = 48" (4)
	CDX = Comfort Dim			/60 = 60" (5)
NYLM-2C = Cable	27X = 2700K	BB = Black	LE3A = 120V input; Triac/ELV	/72 = 72" (6)
NYLM-2SC = Surface	30X = 3000K	CHCH = Champagne Haze	LE4A = 120-277V input; Triac/ELV/0-10V	/84 = 84" (7)
	35X = 3500K	SS = Silver		
	40X = 4000K	WW = White		
	CDX = Comfort Dim			

Accessories

Description
NIO-AS14AM = Amber Translucent Decorative Collar
NIO-AS14BLU = Blue Translucent Decorative Collar
NIO-AS14FR = Frosted Translucent Decorative Collar
NIO-AS14R = Red Translucent Decorative Collar
NIO-AS14BLK = Black Opaque Snoot
NIO-AS14MPW = Matte Powder White Opaque Snoot
NIO-AS14WH = White Opaque Snoot
NYLM-2CONEBB = Pendant Cone, Black Interior & Exterior
NYLM-2CONEBW = Pendant Cone, Black Interior / White Exterior
NYLM-2CONECHB = Pendant Cone, Champagne Haze Interior / Black Ext.
NYLM-2CONECHCH = Pendant Cone, Champagne Haze Int. & Ext.
NYLM-2CONESS = Pendant Cone, Silver Interior & Exterior
NYLM-2CONEWB = Pendant Cone, White Interior / Black Exterior
NYLM-2CONEWW = Pendant Cone, White Interior & Exterior

Example: **NYLM-2C30XBBLE4A** = 2" iLENE LED Mini Cylinder, Cable Mounted, 3000K, Black finish, 120-277V input; Triac, ELV or 0-10V dimming

iLENE Accessories
2" iLENE LED Mini Cylinders

Type _____
Project _____
Catalog No. _____
Notes _____



Translucent Decorative Collar

NIO-AS14(color) 5/8" length
NIO-AS19(color) 3/4" length
NIO-AS26(color) 1" length
Color:
AM (amber), **BLU** (blue), **FR** (frosted), **R** (red)

Translucent collars color the aperture with the specified color while producing white general light. Collars are available in different lengths. Use to add interest, create a theme, match a theme or define a space.



Opaque Collar Snoot

NIO-AS14(color) 5/8" length
NIO-AS19(color) 3/4" length
NIO-AS26(color) 1" length
Color:
BLK (black), **MPW** (matte powder white), **WH** (white)

Opaque snoot greatly reduces aperture brightness while preserving light output. (Note: Black snoot will reduce light)



Pendant Cone

NYLM-2CONE(color) 8" diameter / 4" height
Color:
BB (black interior / black exterior)
BW (black interior / white exterior)
CHB (champagne haze interior / black exterior)
CHCH (champagne haze interior / champagne haze exterior)
SS (silver interior / silver exterior)
WB (white interior / black exterior)
WW (white interior / white exterior)

Pendant cone can be added in the field for a decorative appearance.

Pendant Cone Examples

