

NWELO

wELO LED Surface Mount Luminaire

Source: 10W or 15W LED
1079lm or 1588lm

Type

Project

Catalog No.

Notes

PRODUCT DESCRIPTION

wELO family of LED luminaires are wet location rated surface mounted luminaires with dedicated color temperature. Luminaire is available in 8" or 11" sizes and mounts easily over a standard or fire rated junction boxes.

FEATURES

- Universal input (120-277V)
- Dedicated color temperatures (2700K, 3000K, 3500K or 4000K)
- Surface mounted
- Available in 8" or 11"
- Dimmable with 0-10V dimmers
- Wet Location rated
- 5-year limited warranty

SPECIFICATION

Construction: Surface mounted luminaire includes integral driver.

Mounting: Steel bracket can be used to surface mount on junction box. 8" wELO requires an accessory to mount on 4" square junction box (NWEL0-4BKT).

ELECTRICAL

Input Voltage: 120-277V 60Hz

Lumens / Wattage: 8" = 1079lm / 10W; 11" = 1588lm / 15W

Color Temperature: 2700K, 3000K, 3500K or 4000K

Color Rendering Index: 80+ CRI

Operating Temperature: 0-40°C

Lifetime: 54,000 hours @ L70

Dimming: 0-10V

[Click Here](#) or check complete dimmer list at www.NoraLighting.com in the "Compatibility" page under "Resources" tab

LABELS AND LISTINGS

- cETLus Listed for Wet Location
- ENERGY STAR® certified
- FCC certified
- 5-Year Limited Warranty
- Suitable for use in closets when installed in accordance to NEC Section 410.16 (A)(1) and 410.16 (C)(1)

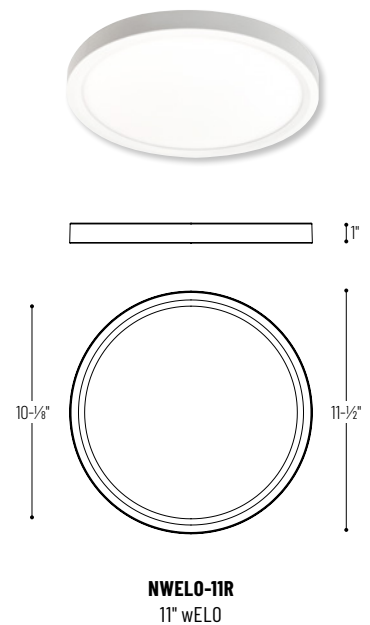
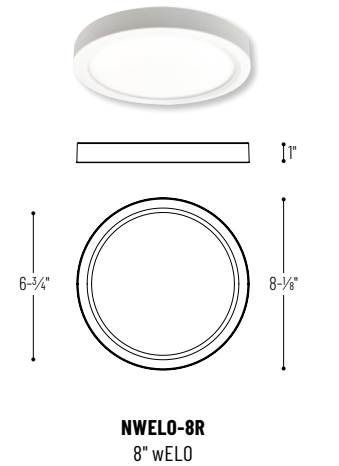


Performance Data

Part Number	Lumens	CCT
NWEL0-8R35W	1079lm	3500K
NWEL0-11R27W	1588lm	3500K

Delivered lumens will vary depending on CCT

PRODUCT IMAGES & DIMENSIONS



wELO LED Surface Mount Luminaire

Luminaire Size	Color Temperature	Finish	Input Voltage
NWEL0-8R = 8"	27 = 2700K	W = White	LE4 = 120-277V input; 0-10V dimming
NWEL0-11R = 11"	30 = 3000K		
	35 = 3500K		
	40 = 4000K		

Optional Accessories

Description
NWEL0-4BKT = Bracket for 4" Square Junction Box (NWEL0-8R only)

Example: **NWEL0-8R30WLE4** = 8" wELO LED Surface Mount Luminaire, 3000K, White finish, 120-277V input; 0-10V dimming

PHOTOMETRICS

8" wELO LED Surface Mount Luminaire

Type

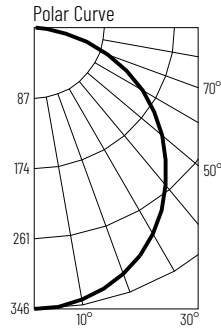
Project

Catalog No.

Notes

Test Information

Test Number: NTS135R3
 Part Number: NWEL0-8R27W
 Beam Spread: 113° Wide Flood
 Lumens: 997lm
 Wattage: 9.96W
 Efficacy: 100lpw
 CCT / CRI: 2700K / 80 CRI
 Spacing Criteria (0°-180°): 1.26
 Spacing Criteria (90°-270°): 1.26



Illuminance at a Distance

Distance from Luminaire	FC at Nadir	Beam Diameter
4'	21.7fc	12'
6'	9.7fc	18'
8'	5.4fc	24'
10'	3.5fc	30'
12'	2.4fc	36'

Zonal Lumen Summary

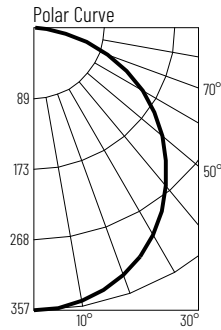
Zone	Lumens	% Luminaire
0-30	270	27.1
0-40	442	44.3
0-60	782	78.5
0-90	997	100
90-180	0	0
0-180	997	100

Candela Table

Vertical Angles	Candela
0	348
5	346
15	334
25	310
35	275
45	230

Test Information

Test Number: NTS136R3
 Part Number: NWEL0-8R30W
 Beam Spread: 113° Wide Flood
 Lumens: 1021lm
 Wattage: 10.07W
 Efficacy: 101lpw
 CCT / CRI: 3000K / 80 CRI
 Spacing Criteria (0°-180°): 1.26
 Spacing Criteria (90°-270°): 1.26



Illuminance at a Distance

Distance from Luminaire	FC at Nadir	Beam Diameter
4'	22.3fc	12'
6'	9.9fc	18'
8'	5.6fc	24'
10'	3.6fc	30'
12'	2.5fc	36'

Zonal Lumen Summary

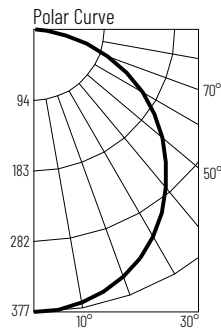
Zone	Lumens	% Luminaire
0-30	277	27.1
0-40	454	44.4
0-60	803	78.6
0-90	1021	100
90-180	0	0
0-180	1021	100

Candela Table

Vertical Angles	Candela
0	357
5	355
15	343
25	319
35	282
45	237

Test Information

Test Number: NTS137R3
 Part Number: NWEL0-8R35W
 Beam Spread: 113° Wide Flood
 Lumens: 1079lm
 Wattage: 10.03W
 Efficacy: 108lpw
 CCT / CRI: 3500K / 80 CRI
 Spacing Criteria (0°-180°): 1.26
 Spacing Criteria (90°-270°): 1.26



Illuminance at a Distance

Distance from Luminaire	FC at Nadir	Beam Diameter
4'	23.5fc	12'-1"
6'	10.5fc	18'-2"
8'	5.9fc	24'-4"
10'	3.8fc	30'-4"
12'	2.6fc	36'-5"

Zonal Lumen Summary

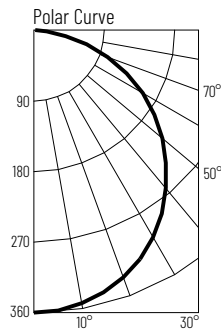
Zone	Lumens	% Luminaire
0-30	292	27.1
0-40	478	44.3
0-60	846	78.4
0-90	1079	100
90-180	0	0
0-180	1079	100

Candela Table

Vertical Angles	Candela
0	377
5	375
15	362
25	337
35	299
45	251

Test Information

Test Number: NTS138R3
 Part Number: NWEL0-8R40W
 Beam Spread: 113° Wide Flood
 Lumens: 1035lm
 Wattage: 10.03W
 Efficacy: 103lpw
 CCT / CRI: 4000K / 80 CRI
 Spacing Criteria (0°-180°): 1.26
 Spacing Criteria (90°-270°): 1.26



Illuminance at a Distance

Distance from Luminaire	FC at Nadir	Beam Diameter
4'	22.5fc	12'-1"
6'	10fc	18'-2"
8'	5.6fc	24'-2"
10'	3.6fc	30'-4"
12'	2.5fc	36'-4"

Zonal Lumen Summary

Zone	Lumens	% Luminaire
0-30	280	27
0-40	458	44.3
0-60	811	78.4
0-90	1035	100
90-180	0	0
0-180	1035	100

Candela Table

Vertical Angles	Candela
0	360
5	358
15	346
25	322
35	285
45	239

PHOTOMETRICS

11" wELO LED Surface Mount Luminaire

Type

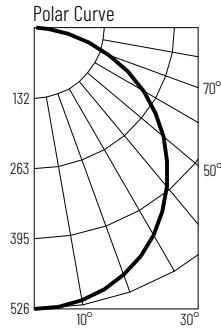
Project

Catalog No.

Notes

Test Information

Test Number: NTS139R3
 Part Number: NWEL0-11R27W
 Beam Spread: 113° Wide Flood
 Lumens: 1515lm
 Wattage: 14.99W
 Efficacy: 101lpw
 CCT / CRI: 2700K / 80 CRI
 Spacing Criteria (0°-180°): 1.28
 Spacing Criteria (90°-270°): 1.26



Illuminance at a Distance

Distance from Luminaire	FC at Nadir	Beam Diameter
4'	32.9fc	12'-2"
6'	14.6fc	18'-2"
8'	8.2fc	24'-4"
10'	5.3fc	30'-5"
12'	3.7fc	36'-6"

Zonal Lumen Summary

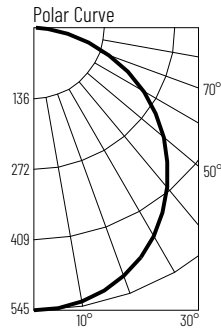
Zone	Lumens	% Luminaire
0-30	409	27
0-40	670	44.2
0-60	1187	78.3
0-90	1515	100
90-180	0	0
0-180	1515	100

Candela Table

Vertical Angles	Candela
0	526
5	524
15	506
25	471
35	419
45	352

Test Information

Test Number: NTS140R3
 Part Number: NWEL0-11R30W
 Beam Spread: 113° Wide Flood
 Lumens: 1568lm
 Wattage: 14.93W
 Efficacy: 105lpw
 CCT / CRI: 3000K / 80 CRI
 Spacing Criteria (0°-180°): 1.28
 Spacing Criteria (90°-270°): 1.26



Illuminance at a Distance

Distance from Luminaire	FC at Nadir	Beam Diameter
4'	34fc	12'-2"
6'	15.1fc	18'-4"
8'	8.5fc	24'-5"
10'	5.5fc	30'-5"
12'	3.8fc	36'-6"

Zonal Lumen Summary

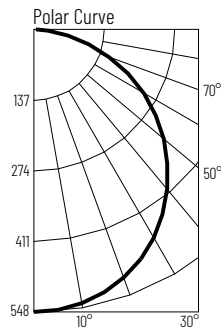
Zone	Lumens	% Luminaire
0-30	424	27
0-40	694	44.3
0-60	1228	78.3
0-90	1568	100
90-180	0	0
0-180	1568	100

Candela Table

Vertical Angles	Candela
0	545
5	542
15	524
25	488
35	433
45	364

Test Information

Test Number: NTS141R3
 Part Number: NWEL0-11R35W
 Beam Spread: 113° Wide Flood
 Lumens: 1588lm
 Wattage: 14.73W
 Efficacy: 108lpw
 CCT / CRI: 3500K / 80 CRI
 Spacing Criteria (0°-180°): 1.28
 Spacing Criteria (90°-270°): 1.26



Illuminance at a Distance

Distance from Luminaire	FC at Nadir	Beam Diameter
4'	34.2fc	12'-4"
6'	15.2fc	18'-5"
8'	8.6fc	24'-6"
10'	5.5fc	30'-8"
12'	3.8fc	36'-10"

Zonal Lumen Summary

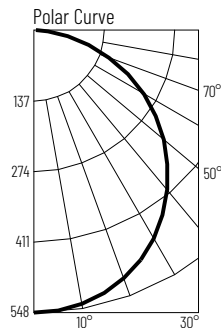
Zone	Lumens	% Luminaire
0-30	427	26.9
0-40	699	44.1
0-60	1241	78.2
0-90	1588	100
90-180	0	0
0-180	1588	100

Candela Table

Vertical Angles	Candela
0	548
5	545
15	527
25	491
35	437
45	368

Test Information

Test Number: NTS142R3
 Part Number: NWEL0-11R40W
 Beam Spread: 113° Wide Flood
 Lumens: 1585lm
 Wattage: 14.89W
 Efficacy: 106lpw
 CCT / CRI: 4000K / 80 CRI
 Spacing Criteria (0°-180°): 1.28
 Spacing Criteria (90°-270°): 1.26



Illuminance at a Distance

Distance from Luminaire	FC at Nadir	Beam Diameter
4'	34.3fc	12'-2"
6'	15.2fc	18'-4"
8'	8.6fc	24'-5"
10'	5.5fc	30'-6"
12'	3.8fc	36'-6"

Zonal Lumen Summary

Zone	Lumens	% Luminaire
0-30	427	26.9
0-40	699	44.1
0-60	1240	78.2
0-90	1585	100
90-180	0	0
0-180	1585	100

Candela Table

Vertical Angles	Candela
0	548
5	546
15	528
25	491
35	436
45	367