

NMP-A

12V Adjustable Josh LED Puck Light

Source: 3.5W LED
300lm

Type

Project

Catalog No.

Notes

PRODUCT DESCRIPTION

Adjustable Josh, a slim light disk LED system for accent, under cabinet, in-cabinet, niche, and jewelry cases, and other applications with limited space. These low-profile fixtures can be spaced together to provide excellent and even illumination on all surfaces. The Josh pucks does not produce a diode image and can be recessed or surface mounted. Combined with ultra low-profile housing, Josh offers unique features and a great ease of installation. LED technology eliminates forward heat from the fixture, also no UV or infrared rays to harm artwork, retail displays or heat sensitive foods. The luminaire produces more light than a traditional 20 watt xenon or halogen puck while consuming only 3.5 watts each puck.

FEATURES

- 18° Adjustment
- 12V Low Voltage System
- 2700K, 3000K, 3500K or 4000K @ 90+ CRI
- Recessed or surface mount
- Easy installation
- Dimmable with power supply
- 12" to 48" extension cables accessory available
- No flicker delay or warm up like compact fluorescent products
- No UV light or infrared wavelengths
- 5-Year Limited Warranty
- Each puck comes with a 72" wire and connector

ELECTRICAL

Input Voltage: 12VDC

Lumens / Wattage: 300lm / 3.5W

Color Temperature: 2700K, 3000K, 3500K, 4000K

Color Rendering Index: 90+ CRI

Operating Temperature: 0°C to 40°C

Cord Length: 72" wire and connector

Maximum # of Units Per Interconnect: Six luminaires can be connected to interconnect (NMPA-6P-24). Each luminaire must connect to interconnect, cannot daisy chain.

Life Expectancy: 50,000 hours

Dimming: Specified by driver

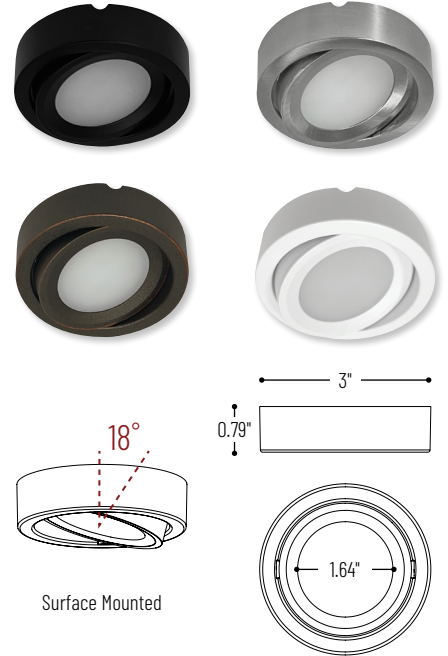
Cabinet Installation: Up to three puck lights may be installed in an enclosed cabinet size of 3.5" x 11.5" x 12"

LABELS AND LISTINGS

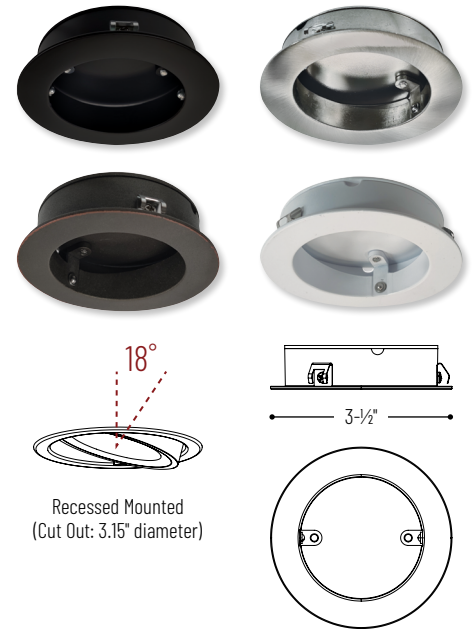
- cULus Listed for Damp Location
- cULus Listed for under-cabinet and cabinet use
- 5-Year Limited Warranty
- RoHS compliant



PRODUCT IMAGES AND DIMENSIONS



NMP-A
Adjustable Josh LED Puck Light



NMP-AREC
Recessed Flange Accessory

12V Adjustable Josh LED Puck Light

| Color Temperature | Finish |
|------------------------|----------------------------|
| NMP-A27 = 2700K | B = Black |
| NMP-A30 = 3000K | BZ = Bronze |
| NMP-A35 = 3500K | BN = Brushed Nickel |
| NMP-A40 = 4000K | W = White |

Recessed Flange Accessory

| Accessory Type | Finish |
|-----------------------------------|----------------------------|
| NMP-AREC = Recessed Flange | B = Black |
| | BZ = Bronze |
| | BN = Brushed Nickel |
| | W = White |

Example: **NMP-A30W** = Adjustable Josh LED Puck Light, 3000K, White Finish

NMP-A

12V Adjustable Josh LED Puck Light Accessories

Type

Project

Catalog No.

Notes



6-Port Power Line Interconnect

NMPA-6P-24B Black
NMPA-6P-24W White

Terminal block connects up to six LED Josh Puck lights to a Nora driver. Includes 24" cord with RCA jack.



Extension Cable

NMPA-EW-12 12"
NMPA-EW-24 24"
NMPA-EW-36 36"
NMPA-EW-48 48"

Finish: Black (B), White (W)

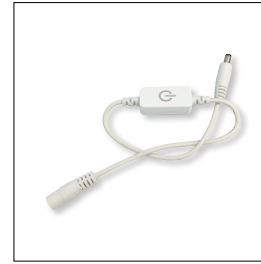
Used to extend the length of the cable from the puck to the terminal block. Linkable up to 110".



2' Wire Raceway

NATL-422B Black
NATL-422W White

Field-cutttable plastic. Includes wire channel with double faced tape and cover.



In-Line Touch Dimmer

NATL-518W

72W max., no power fail memory, touch on/off and hold to dim.



Direct Plug-In LED Driver

NAPK-524W/12 24W / White
NAPK-560W/12 60W / White

Input Voltage: 120V

Dimming: Non-Dimmable



Class II Hardwire LED Driver with Breakers, MLV Dimming

NMT-244/12C2D1 120V input
NMT-244/12C2D2 277V input

Input Voltage: 120V or 277V

Dimming: Magnetic Low Voltage

Breakers: (4) 60W

Note: Power Line Connector(s) not included



Class II Hardwire LED Driver 0-10V Dimming

NATL-5060-12-HWD10 60W

Input Voltage: 120-277V

Dimming: 0-10V

Includes: 10' Power Line Connector



Class II Hardwire LED Driver with Regulator, MLV Dimming

NMTD-40/12D 40W
NMTD-60/12D 60W

Input Voltage: 120-277V

Dimming: Magnetic Low Voltage

Regulator: Integral regulator for constant current and voltage

Includes: 10' Power Line Connector



Class II Hardwire LED Driver ELV dimming

NAPKED-5040HW 12V 35W
NAPKED-5060HW 12V 60W

Input Voltage: 120V

Dimming: Triac or ELV

Includes: 10' Power Line Connector



Class II Universal Dimming Driver

NPSU-60W/12 60W

Input Voltage: 110-277V

Dimming: Triac, ELV, MLV, 0-10V, PWM

Note: Power Line Connector not included



Power Line Connector

NALTL-10 10' Cable
NALTL-30 30' Cable

For use with Class II drivers. Carries output from driver, requires power line cable.



Power Line Splitter

NATL-302W 5" Cable

Splits power line connector into two separate leads, requires power line interconnects.



Low Voltage Splice Box

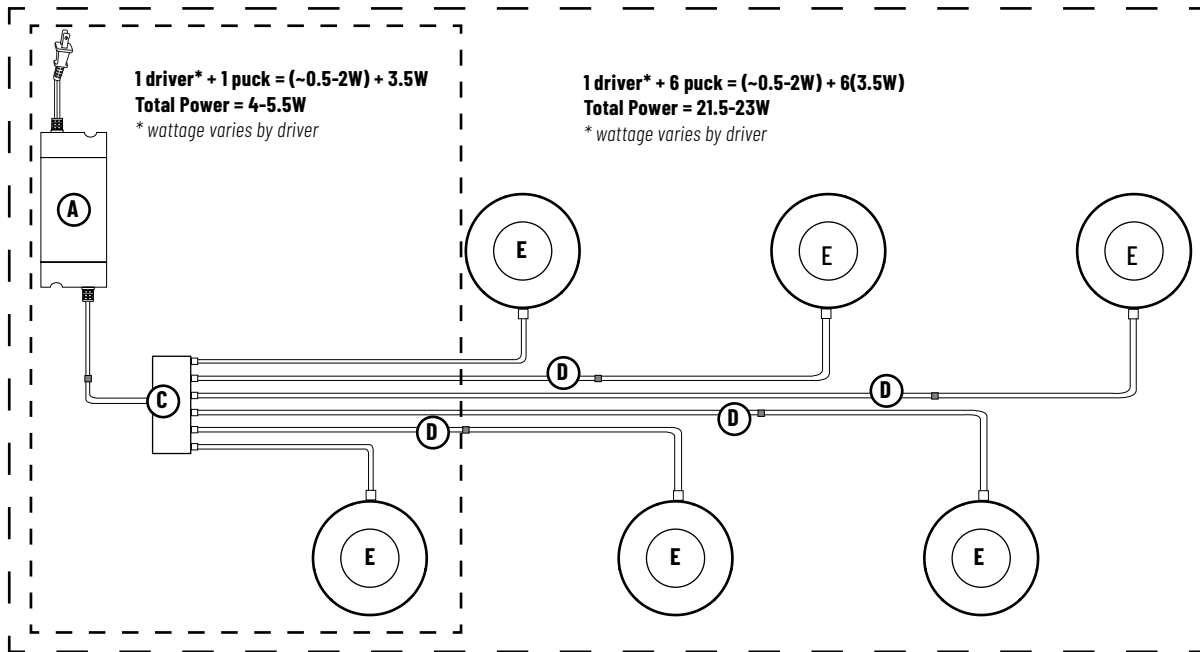
NATL-415W

Use to join low voltage lead to low voltage power line connector or interconnector.

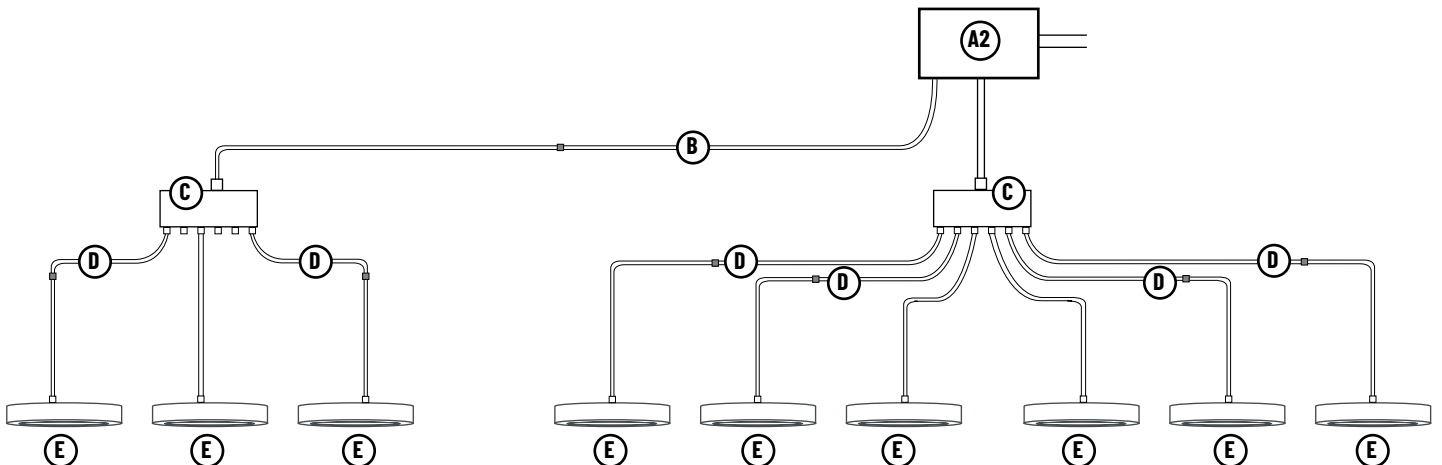
NMP-A Sample Layout

12V Adjustable Josh LED Puck Light

Type _____
 Project _____
 Catalog No. _____
 Notes _____



| | | |
|----|--|--|
| A | NAPK-560W/12 | 12V 60W Direct Plug-In Driver |
| A2 | NMTD-60/12D | 12V 60W Dimmable Class II Power Supply |
| B | NALTL-10 | 10' Power Line Connector |
| C | NMPA-6P-24 | Power Line Interconnect with 6-port terminal block |
| D | NMPA-EW-12B/W NMPA-EW-24B/W NMPA-EW-36B/W NMPA-EW-48B/W | 12" Extension Cable 24" Extension Cable 36" Extension Cable 48" Extension Cable |
| E | NMP-A | 12V Adjustable Josh LED Puck Light |



PHOTOMETRICS

12V Josh LED Puck Light

Type

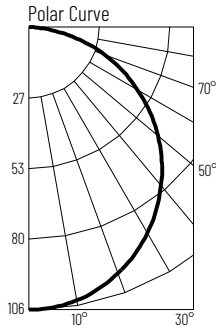
Project

Catalog No.

Notes

Test Information

Test Number: NTS158R1
 Part Number: NMP-A27W
 Beam Spread: 113° Wide Flood
 Lumens: 305lm
 Wattage: 4.27W
 Efficacy: 61lpw
 CCT / CRI: 2700K / 90 CRI
 Spacing Criteria (0°-180°): 1.26
 Spacing Criteria (90°-270°): 1.26



Illuminance at a Distance

| Distance from Luminaire | FC at Nadir | Beam Diameter |
|-------------------------|-------------|---------------|
| 4' | 6.6fc | 12'-2" |
| 6' | 3fc | 18'-4" |
| 8' | 1.7fc | 24'-5" |
| 10' | 1.1fc | 30'-6" |
| 12' | 0.7fc | 36'-7" |

Zonal Lumen Summary

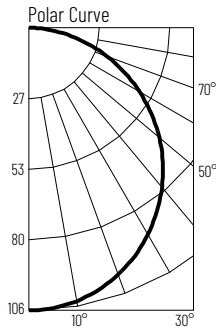
| Zone | Lumens | % Luminaire |
|--------|--------|-------------|
| 0-30 | 82 | 27.0 |
| 0-40 | 135 | 44.2 |
| 0-60 | 239 | 78.4 |
| 0-90 | 305 | 100 |
| 90-180 | 0 | 0 |
| 0-180 | 305 | 100 |

Candela Table

| Vertical Angles | Candela |
|-----------------|---------|
| 0 | 106 |
| 5 | 106 |
| 15 | 102 |
| 25 | 95 |
| 35 | 84 |
| 45 | 71 |

Test Information

Test Number: NTS159R1
 Part Number: NMP-A30W
 Beam Spread: 113° Wide Flood
 Lumens: 306lm
 Wattage: 4.96W
 Efficacy: 62lpw
 CCT / CRI: 3000K / 90 CRI
 Spacing Criteria (0°-180°): 1.26
 Spacing Criteria (90°-270°): 1.26



Illuminance at a Distance

| Distance from Luminaire | FC at Nadir | Beam Diameter |
|-------------------------|-------------|---------------|
| 4' | 6.6fc | 12'-2" |
| 6' | 3.0fc | 18'-4" |
| 8' | 1.7fc | 24'-6" |
| 10' | 1.1fc | 30'-7" |
| 12' | 0.7fc | 36'-8" |

Zonal Lumen Summary

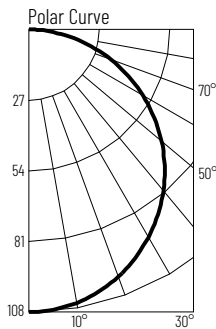
| Zone | Lumens | % Luminaire |
|--------|--------|-------------|
| 0-30 | 83 | 26.9 |
| 0-40 | 135 | 44.1 |
| 0-60 | 240 | 78.3 |
| 0-90 | 306 | 100 |
| 90-180 | 0 | 0 |
| 0-180 | 306 | 100 |

Candela Table

| Vertical Angles | Candela |
|-----------------|---------|
| 0 | 106 |
| 5 | 106 |
| 15 | 102 |
| 25 | 95 |
| 35 | 84 |
| 45 | 71 |

Test Information

Test Number: NTS160R1
 Part Number: NMP-A35W
 Beam Spread: 113° Wide Flood
 Lumens: 312lm
 Wattage: 4.98W
 Efficacy: 63lpw
 CCT / CRI: 3500K / 90 CRI
 Spacing Criteria (0°-180°): 1.26
 Spacing Criteria (90°-270°): 1.26



Illuminance at a Distance

| Distance from Luminaire | FC at Nadir | Beam Diameter |
|-------------------------|-------------|---------------|
| 4' | 6.7fc | 12'-2" |
| 6' | 3.0fc | 18'-4" |
| 8' | 1.7fc | 24'-5" |
| 10' | 1.1fc | 30'-6" |
| 12' | 0.8fc | 36'-7" |

Zonal Lumen Summary

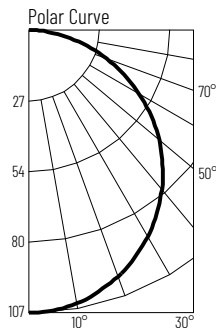
| Zone | Lumens | % Luminaire |
|--------|--------|-------------|
| 0-30 | 69 | 22.1 |
| 0-40 | 115 | 36.7 |
| 0-60 | 236 | 75.5 |
| 0-90 | 312 | 100 |
| 90-180 | 0 | 0 |
| 0-180 | 312 | 100 |

Candela Table

| Vertical Angles | Candela |
|-----------------|---------|
| 0 | 108 |
| 5 | 107 |
| 15 | 103 |
| 25 | 96 |
| 35 | 85 |
| 45 | 72 |

Test Information

Test Number: NTS161R1
 Part Number: NMP-A40W
 Beam Spread: 113° Wide Flood
 Lumens: 307lm
 Wattage: 4.89W
 Efficacy: 63lpw
 CCT / CRI: 4000K / 90 CRI
 Spacing Criteria (0°-180°): 1.26
 Spacing Criteria (90°-270°): 1.26



Illuminance at a Distance

| Distance from Luminaire | FC at Nadir | Beam Diameter |
|-------------------------|-------------|---------------|
| 4' | 6.7fc | 12'-1" |
| 6' | 3fc | 18'-2" |
| 8' | 1.7fc | 24'-2" |
| 10' | 1.1fc | 30'-4" |
| 12' | 0.7fc | 36'-4" |

Zonal Lumen Summary

| Zone | Lumens | % Luminaire |
|--------|--------|-------------|
| 0-30 | 69 | 22.4 |
| 0-40 | 114 | 37.2 |
| 0-60 | 234 | 76.2 |
| 0-90 | 307 | 100 |
| 90-180 | 0 | 0 |
| 0-180 | 307 | 100 |

Candela Table

| Vertical Angles | Candela |
|-----------------|---------|
| 0 | 107 |
| 5 | 107 |
| 15 | 103 |
| 25 | 96 |
| 35 | 85 |
| 45 | 71 |