

# NIOC-1RNG

1" Iolite Can-less Round Downlight

Source: 9W LED  
800lm

## PRODUCT DESCRIPTION

1" Iolite can-less downlights can be installed in new construction or remodel applications. Deep regressed cone reflectors optimize visual cut-off.

## FEATURES

- No housing required - IC Air-Tight rated
- Easy installation for remodel or new construction applications
- Variety of trim accessories to configure desired appearance
- Quick disconnect allows for extended lengths
- Dedicated CCT or Comfort Dim (warm dim)
- Flood optic, narrow flood and spot optics (included)
- 5-Year limited warranty
- ENERGY STAR certified
- cULus Listed for Wet Locations

## SPECIFICATION

**Construction:** Trims are constructed of heat dissipating, die-cast aluminum. Aluminum die-cast LED module is threaded to fit the trim and transfer heat.

**Air Flow Restriction:** Luminaire has factory installed gasket to restrict airflow from room into ceiling plenum to <2CFM (cubic feet per minute) in accordance with ASTM-283 Air-Tight requirements.

**Clearance:** IC rated luminaires are rated for direct contact with insulation (not spray foam insulation), no minimum clearance is required.

**Driver Box:** Prewired junction box includes 7' quick connect wire to LED module for ease of installation. Junction box includes two 1/2" trade size knockouts and snap on cover.

*Maximum length between luminaire and driver is 40'. For longer remote driver remote run length, consult factory.*

**Mounting:** No housing is required, two tensions steel spring clips secure luminaire to ceiling. Accommodates ceiling thickness up to 3/4". New construction frame-in kit is available, see accessories.

## OPTICS

Each module includes field changeable optics (spot, narrow flood and flood - preinstalled).

## ELECTRICAL

**Input Voltage:** 120VAC

**Lumens / Wattage:** 800lm / 9W

**Color Temperature:** 2700K, 3000K, 3500K or 4000K

**Color Rendering Index:** 90+ CRI

**Operating Temperature:** 0°-30°C

**Lifetime:** 50,000 hours @ L70

**Comfort Dim:** Comfort Dim color tunes the temperature from a bright 3100K, to a romantic and comfortable 2000K on a gradual, even curve. Available in 750lm only.

**Dimming:** Triac or ELV

**Accessories:** Luminaire will accommodate (1) hex louver and (1) translucent deco collar or opaque snoot, no accessory holder is required, see accessories page.

## LABELS AND LISTINGS

- cULus Listed for Wet Locations
- ENERGY STAR certified
- [5-Year Limited Warranty](#)
- RoHS Compliant
- Certified to the high efficacy requirements of California Title 24 JA8-2022



Type

Project

Catalog No.

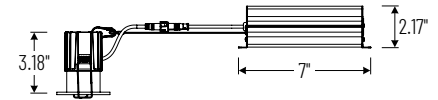
Notes

## Performance Data

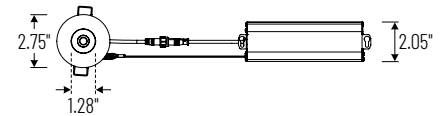
Part Number	Lumens	CCT	Optic
<b>NIOC-1RNG40XMPW</b>	824lm	4000K	Spot
<b>NIOC-1RNG40XMPW</b>	768lm	4000K	Narrow
<b>NIOC-1RNG40XMPW</b>	784lm	4000K	Flood

*Delivered lumens will vary depending on CCT, optic and finish*

## PRODUCT IMAGES & DIMENSIONS



Cut out: 2-5/16"



## 1" Iolite Can-less Round Downlight Trim



## Item Number

**NIOC-1RNGHW** = Haze Reflector / White Flange  
**NIOC-1RNGMPW** = Matte Powder White Reflector & Flange  
**NIOC-1RNGWW** = White Reflector & Flange

## 1" Iolite Can-less LED Module



## Color Temperature

**NIOC-1LED927X** = 2700K  
**NIOC-1LED930X** = 3000K  
**NIOC-1LED935X** = 3500K  
**NIOC-1LED940X** = 4000K  
**NIOC-1LED9CDX** = Comfort Dim (2900K-1900K)

## Driver Box



## Wattage

**NJCB-09** = 9W / 120VAC input / Triac or ELV dimming

Example: **NIOC-1RNGMPW / NIOC-1LED930X / NJCB-09** = 1" Iolite Can-less Round Downlight Trim, Matte Powder White finish, 3000K LED Module, 9W Driver Box with 120VAC input; Triac or ELV dimming

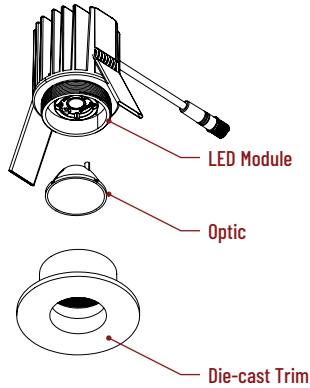
# Iolite Can-less Accessories

## 1" Iolite Can-less Round Downlight

Type	
Project	
Catalog No.	
Notes	

### FIELD CHANGEABLE OPTICS

Iolite luminaires include spot, narrow flood and flood optics. Optics can be changed in the field by removing LED module from die-cast trim. Optional frosted optics are also available.



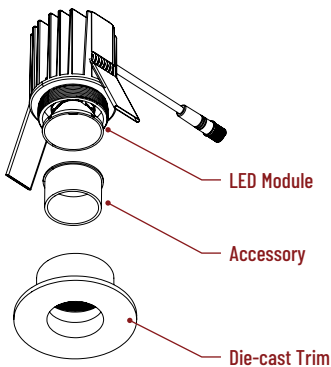
Frosted Optics

**NIO-1REFL20FR**  
**NIO-1REFL60FR**

40° Optic  
60° Optic

### TRIM ACCESSORIES

Iolite accessories can be added at any point in the design process. Accessories easily install between LED module and die-cast trim. Luminaire will accommodate (1) hex louver and (1) collar accessory, no accessory holder required.



Translucent Decorative Collar

**NIO-1AS15(color)** 5/8" length  
**NIO-1AS19(color)** 3/4" length  
**NIO-1AS24(color)** 1" length  
**Color:**  
AM (amber), BLU (blue), FR (frosted), R (red)

Translucent collars color the aperture with the specified color while producing white general light. Collars are available in different lengths. Use to add interest, create a theme, match a theme or define a space.



Opaque Collar Snoot

**NIO-1AS15(color)** 5/8" length  
**NIO-1AS19(color)** 3/4" length  
**NIO-1AS24(color)** 1" length  
**Color:**  
MPW (matte powder white), WH (white)

Opaque snoot greatly reduces aperture brightness while preserving light output.



Hex Cell Louver

**NIO-1HC** Black  
Hex cell louver subtly reduces aperture brightness by reducing light output by about 20%.

### MOUNTING ACCESSORIES

Iolite canless luminaires are ready to be installed out of the box. Additional mounting accessories can be used to assist during installation or extend length between driver box and luminaire.



Quick Connect Extension Cables

**NCA-EW-4** 4' Cable  
**NCA-EW-10** 10' Cable

Use to extend the length between luminaire and driver box. Can be connected together to create custom lengths. Maximum length between luminaire and driver is 40'. For longer remote driver remote run length, consult factory.



New Construction Frame-In

**NF-R124**

Universal new construction frame-in can be used to assist installing can-less recessed downlighting.

# PHOTOMETRICS

## 1" Iolite Can-less Round Downlight

Type

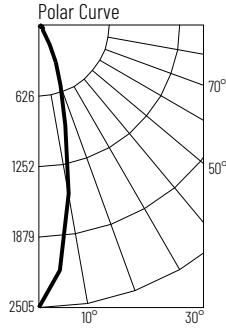
Project

Catalog No.

Notes

### Test Information

Test Number: NTR2034R1  
 Part Number: NI0C-1RNG40XMPW  
 Beam Spread: 24° Spot  
 Lumens: 824lm  
 Wattage: 9.13W  
 Efficacy: 90lpw  
 CCT / CRI: 4000K / 90 CRI  
 Spacing Criteria (0°-180°): 0.42  
 Spacing Criteria (90°-270°): 0.42



### Illuminance at a Distance

Distance from Luminaire	FC at Nadir	Beam Diameter
4'	157fc	1'-8"
6'	69.6fc	2'-7"
8'	39.1fc	3'-6"
10'	25.0fc	4'-4"
12'	17.4fc	5'-2"

### Zonal Lumen Summary

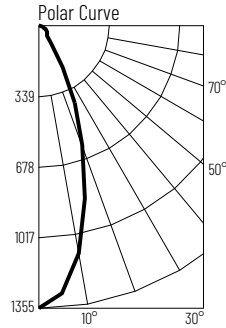
Zone	Lumens	% Luminaire
0-30	620	75.2
0-40	689	83.6
0-60	768	93.1
0-90	824	100
90-180	0	0
0-180	824	100

### Candela Table

Vertical Angles	Candela
0	2505
5	2182
15	922
25	361
35	86
45	58

### Test Information

Test Number: NTR2035R1  
 Part Number: NI0C-1RNG40XMPW  
 Beam Spread: 37° Narrow Flood  
 Lumens: 768lm  
 Wattage: 9.11W  
 Efficacy: 84lpw  
 CCT / CRI: 4000K / 90 CRI  
 Spacing Criteria (0°-180°): 0.62  
 Spacing Criteria (90°-270°): 0.62



### Illuminance at a Distance

Distance from Luminaire	FC at Nadir	Beam Diameter
4'	84.7fc	2'-8"
6'	37.6fc	4'-0"
8'	21.2fc	5'-5"
10'	13.6fc	6'-8"
12'	9.4fc	8'-0"

### Zonal Lumen Summary

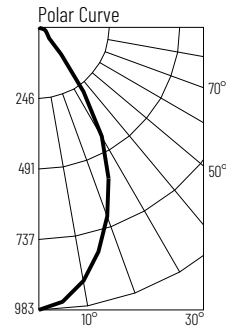
Zone	Lumens	% Luminaire
0-30	540	70.2
0-40	614	79.9
0-60	701	91.3
0-90	768	100
90-180	0	0
0-180	768	100

### Candela Table

Vertical Angles	Candela
0	1355
5	1288
15	858
25	408
35	103
45	57

### Test Information

Test Number: NTR2036R1  
 Part Number: NI0C-1RNG40XMPW  
 Beam Spread: 51° Flood  
 Lumens: 784lm  
 Wattage: 9.10W  
 Efficacy: 86lpw  
 CCT / CRI: 4000K / 90 CRI  
 Spacing Criteria (0°-180°): 0.80  
 Spacing Criteria (90°-270°): 0.80



### Illuminance at a Distance

Distance from Luminaire	FC at Nadir	Beam Diameter
4'	61.4fc	3'-10"
6'	27.3fc	5'-8"
8'	15.4fc	7'-8"
10'	9.83fc	9'-7"
12'	6.83fc	11'-6"

### Zonal Lumen Summary

Zone	Lumens	% Luminaire
0-30	530	67.5
0-40	637	81.2
0-60	722	92.1
0-90	784	100
90-180	0	0
0-180	784	100

### Candela Table

Vertical Angles	Candela
0	983
5	955
15	774
25	515
35	156
45	57

### Lumen Output Multipliers

Color Temperature: 2700K (0.86), 3000K (0.90), 3500K (0.91), 4000K (1.00)