

NF-R246

Universal New Construction Frame-In for LED luminaires

Type

Project

Catalog No.

Notes

PRODUCT DESCRIPTION

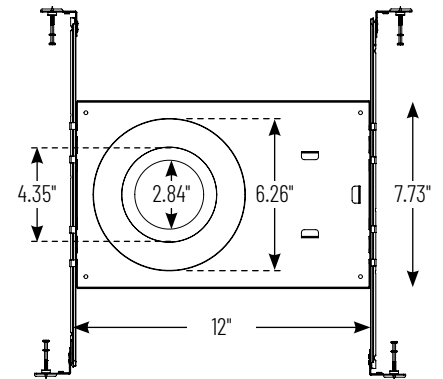
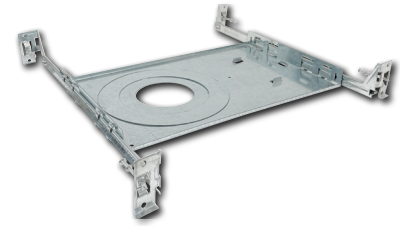
Universal new construction frame-in can be used to assist installing canless recessed downlights. Includes multiple cut outs for 2", 4" and 6" LED luminaires

Mounting: Bar hangers are adjustable from 13-3/4" to 26" with integral nails. Bar hangers are slotted for T-bar ceiling grids.

COMPATIBLE LUMINAIRES

- [NEFLINTW-R4MPW](#): 4" FLIN Wafer LED Downlight
- [NEFLINTW-R6MPW](#): 6" FLIN Wafer LED Downlight
- [NFLAT-R4TWMPW](#): 4" FLAT Non-Metallic LED Downlight
- [NFLAT-R6TWMPW](#): 6" FLAT Non-Metallic LED Downlight
- [NFLINA-R4TWMPW](#): 4" FLIN Adjustable LED Downlight
- [NLTH-4ITW-MPW](#): 4" Theia LED Downlight
- [NLTH-6ITW-MPW](#): 6" Theia LED Downlight
- [NM2-2RDC](#): 2" M2 LED Downlight
- [NM2-2RDCS](#): 2" M2 LED Lensed Downlight
- [NM2-2SDC](#): 2" M2 Square LED Downlight
- [NM2-2SB](#): 2" M2 Square LED Baffle Downlight
- [NM2-2RG](#): 2" M2 LED Adjustable Gimbal
- [NM2-2R27Q](#): 2" M2 LED Adjustable Elbow
- [NM4-RG](#): 4" M4 LED Adjustable Gimbal
- [NM4-R470](#): 4" M4 LED Adjustable Elbow

PRODUCT IMAGES AND DIMENSIONS



Universal New Construction Frame-In for LED luminaires

Compatible Luminaires

Accessory Type

NF-R246 = Universal New Construction Frame-In

Description

- NEFLINTW-R4MPW** = 4" FLIN Wafer LED Downlight
- NEFLINTW-R6MPW** = 6" FLIN Wafer LED Downlight
- NFLAT-R4TWMPW** = 4" FLAT LED Downlight
- NFLAT-R6TWMPW** = 6" FLAT LED Downlight
- NFLINA-R6TWMPW** = 4" FLIN Adjustable LED Downlight
- NLTH-4ITW-MPW** = 4" Theia Downlight
- NLTH-6ITW-MPW** = 6" Theia Downlight
- NM2-2RDC** = 2" M2 Downlight
- NM2-2RDCS** = 2" M2 Lensed Downlight
- NM2-2SDC** = 2" M2 Square Downlight
- NM2-2SB** = 2" M2 Square Baffle
- NM2-2RG** = 2" M2 Adjustable Gimbal
- NM2-2R27Q** = 2" M2 Adjustable Elbow
- NM4-RG** = 4" M4 Adjustable Gimbal
- NM4-R470** = 4" M4 Adjustable Elbow

Example: **NF-R246** = Universal New Construction Frame-In for LED luminaires